



inControl

water systems

Creating Smart Water Solutions.™

Premiering the
**Submarine
Turbine
Series**
Pump Station

tel 214.733.8828 • fax 214.544.9555
410 Interchange, McKinney, TX 75071
www.incontrolwatersystems.com

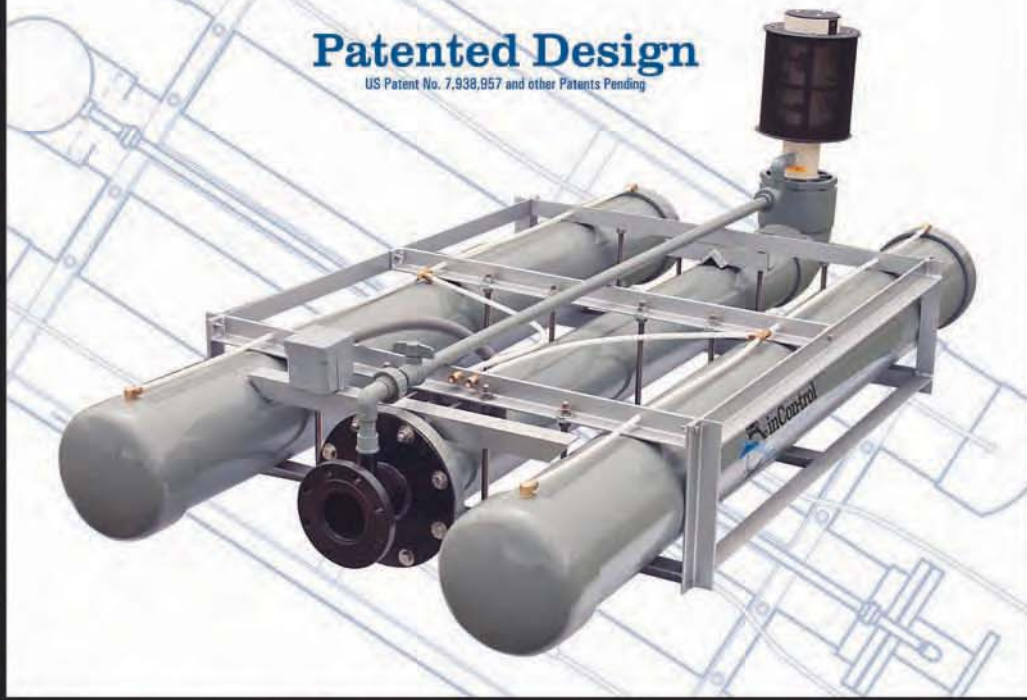


Your complete water management resource for innovative Pump Stations and Water Features.

Submarine Turbine Series™ pump station

Patented Design

US Patent No. 7,938,957 and other Patents Pending



FEATURES & BENEFITS

SUBMARINE TURBINE SERIES: The Submarine Turbine pumping station utilizes a patented ballast system for ascending and descending the pump station in a body of water. Think about how many problems this solves. No need for wet wells, no priming issues, no scuba divers needed, no cranes, and the Submarine Turbine Series significantly reduces installation costs. Simple repairs can be performed quickly and easy without requiring heavy machinery or removing the pump.

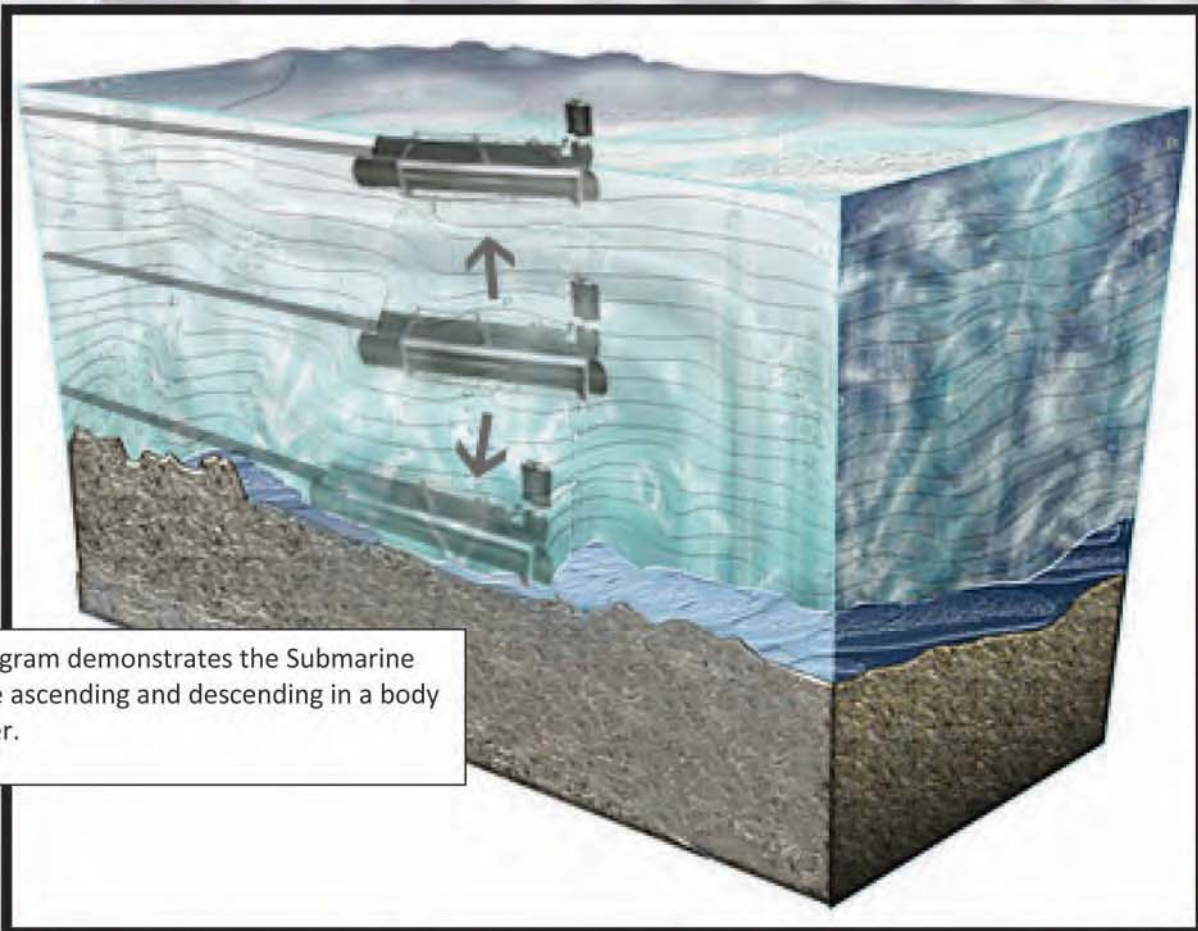
410 Interchange, McKinney, TX 75071
tel 214.733.8828 • fax 214.544.9555
www.incontrolwatersystems.com



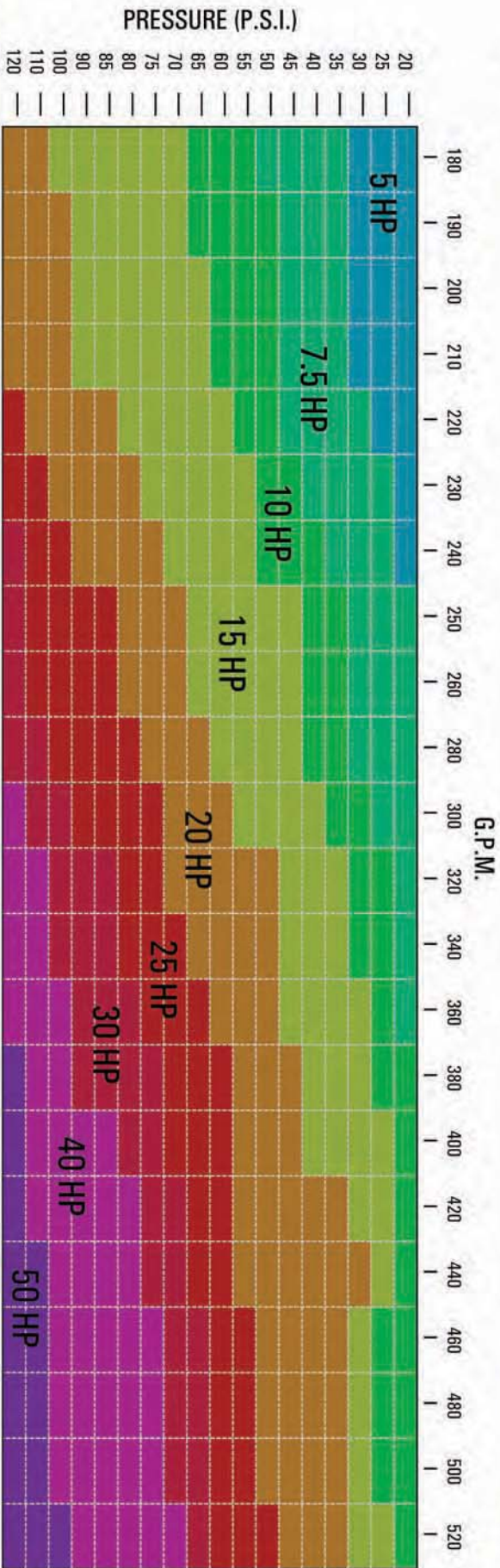
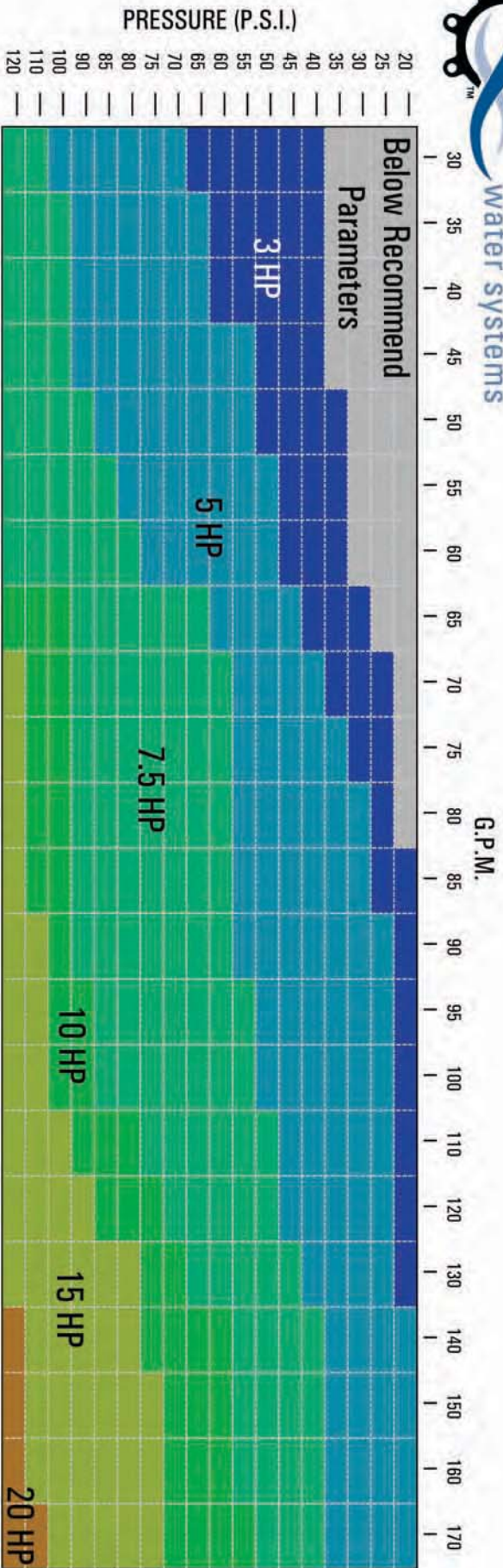
Submarine Turbine Series – Features and Specs

Standard Features

- Multi-stage capability, pump will vary to meet application
- Patented product
- Available self-cleaning suction screen
- Aluminum framing and bracing
- Stainless steel hardware
- Secure, flanged connections
- Check valves
- Flanged HDPE discharge heavy duty pipe
- NEMA rated electrical control enclosures
- UL listed componentry



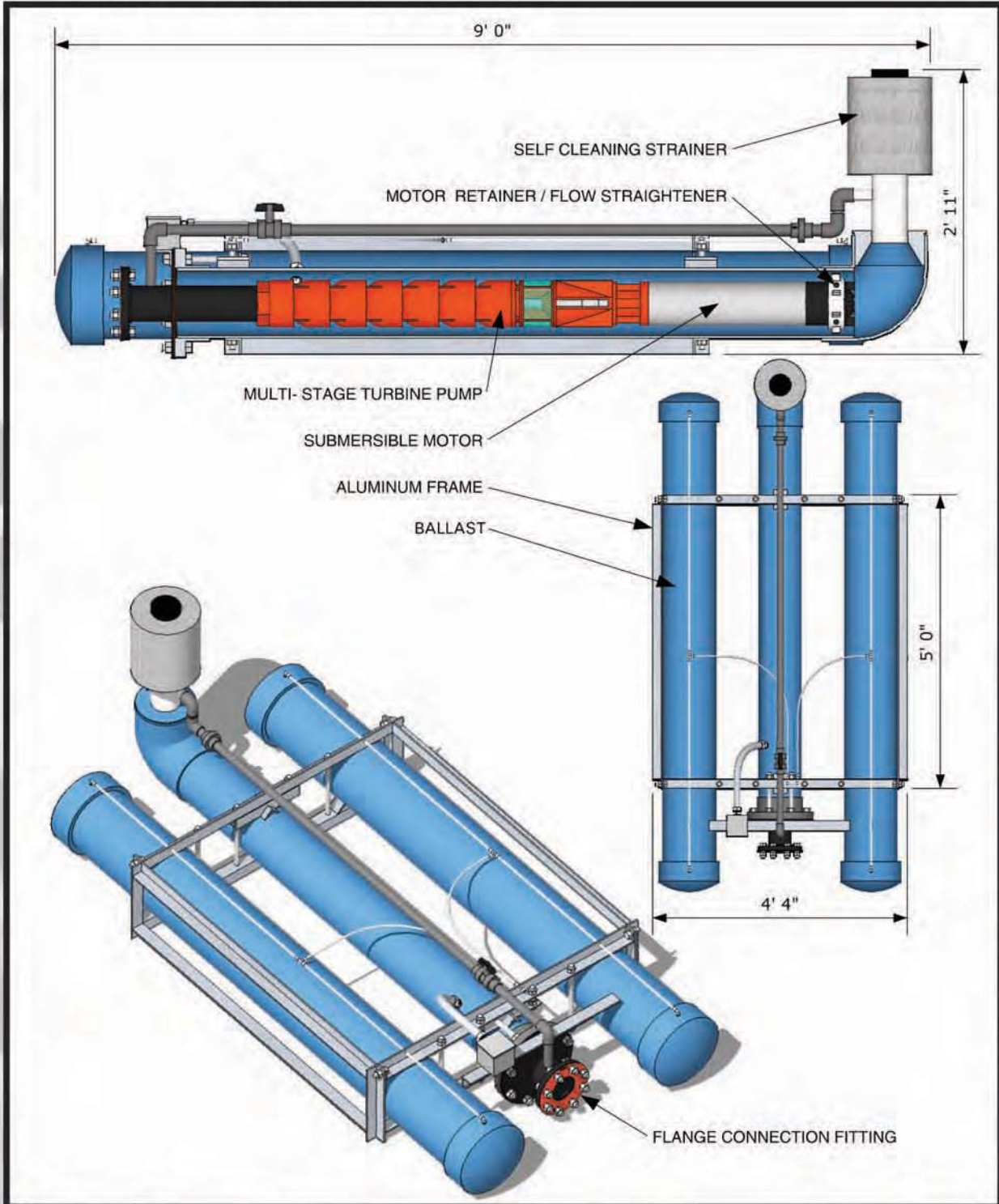
The diagram demonstrates the Submarine Turbine ascending and descending in a body of water.



* Graph is for diagrammatic purposes only, inControl Water Systems reserves the right to adjust actual pump performance in order to provide best quality pump system.

410 Interchange, McKinney, TX 75071
 tel 214.733.8828 • fax 214.544.9555
 www.incontrolwatersystems.com

Submarine Turbine Series – Dimensions



Note: Pump, Ballasts, and Frame will be sized to meet application.