

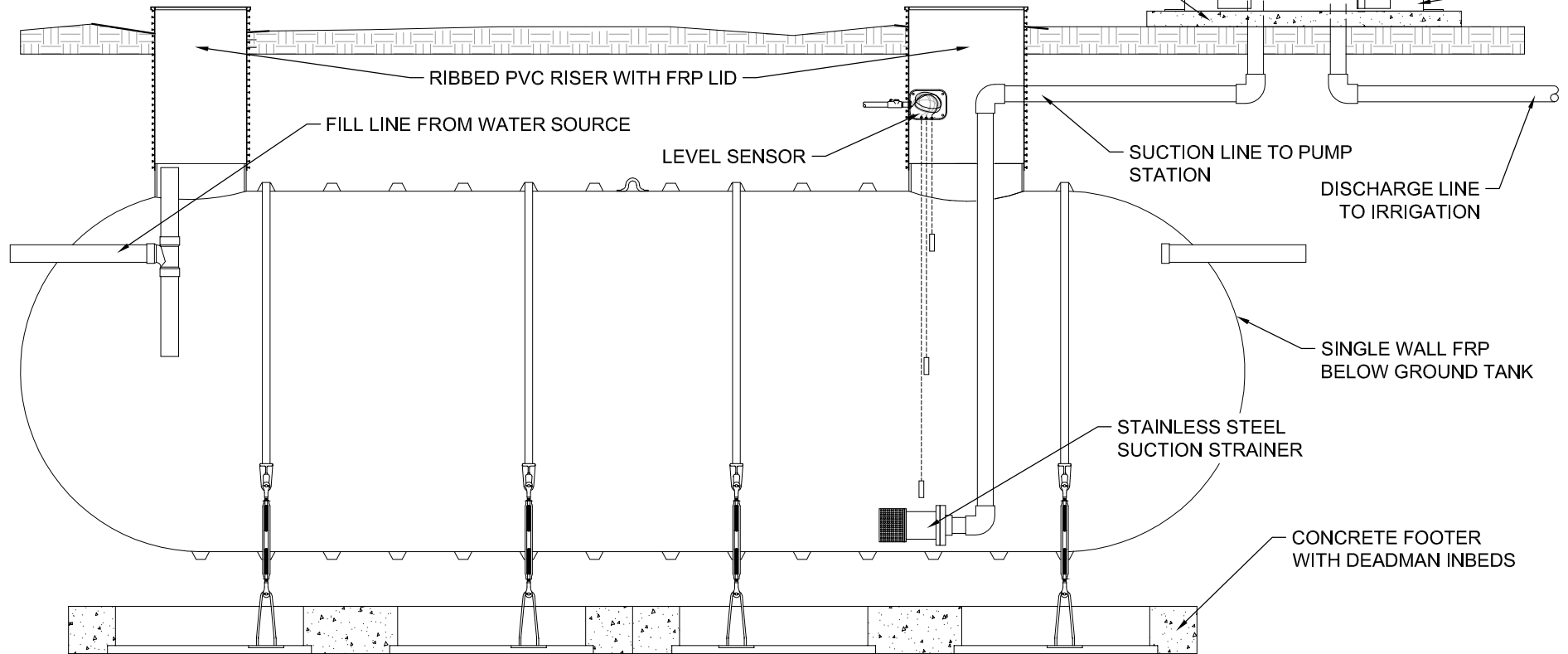
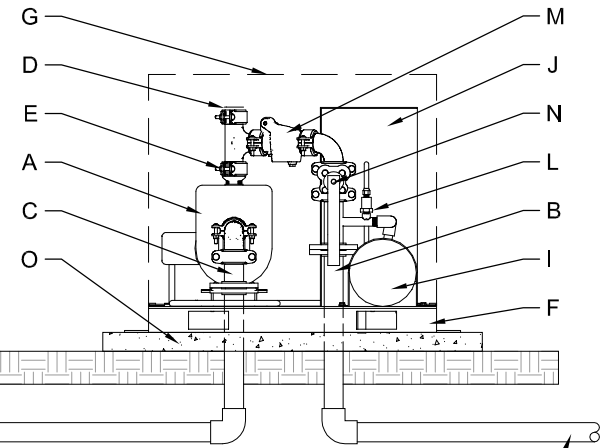
INCON-TROL WATER SYSTEMS: **WATER HARVESTING SERIES**

- | | |
|---|------------------------|
| A. CLOSE COUPLED PUMP/MOTOR | K. DISCONNECT SWITCH |
| B. DISCHARGE PLUMBING - STEEL PIPE | L. PRESSURE TRANSDUCER |
| C. SUCTION PLUMBING - STEEL PIPE | M. CHECK VALVE |
| D. GRUVLOK CAP | N. BUTTERFLY VALVE |
| E. GRUVLOK STEEL COUPLING | O. CONCRETE PAD |
| F. STEEL PUMP SKID - DIRECT TO METAL CORROSION RESISTANT PAINT. | |
| G. ALUMINUM ENCLOSURE (INSULATED) | |
| H. VENT COVERS | |
| I. PRESSURE TANK | |
| J. ELECTRICAL ENCLOSURE | |

PUMP STATION SHALL BE PRESSURE ACTIVATED, AND REQUIRES NO ELECTRICAL CONNECTION TO THE IRRIGATION SYSTEM.



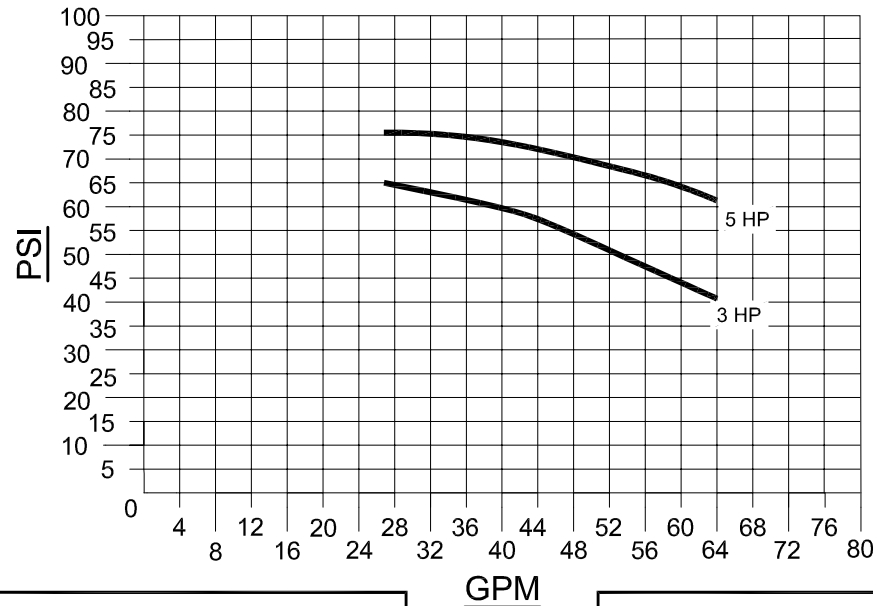
www.incontrolwatersystems.com
 (P)214-733-8828 • (F)214-544-9555
 410 Interchange • McKinney, Tx. 75071



1 **INCON-TROL WATER SYSTEMS WATER HARVESTING SERIES - BELOW GROUND**
 SCALE: N.T.S. 10k - 30k GAL.

GALE FORCE ECO SERIES PUMP CURVE
3 HP, 5 HP

3 PHASE ELECTRICAL DATA		
HP	VOLTAGE	SERVICE SIZE
3	208	20A
5	208	30A
HP	VOLTAGE	SERVICE SIZE
3	240	20A
5	240	30A
HP	VOLTAGE	SERVICE SIZE
3	480	15A
5	480	15A



1 PHASE ELECTRICAL DATA		
HP	VOLTAGE	SERVICE SIZE
3	208	30A
5	208	50A
HP	VOLTAGE	SERVICE SIZE
3	240	30A
5	240	45A
HP	VOLTAGE	SERVICE SIZE
3	480	15A
5	480	25A

ECO SERIES 3HP	
PSI	GPM
65	25
55	47
45	58

ECO SERIES 5HP	
PSI	GPM
75	35
65	61
55	80

FINAL HORSEPOWER TO BE SIZED BY INCON-TROL WATER SYSTEMS. USE GRAPH FOR PRELIMINARY SIZING ONLY.

SPECIFICATION DATA: SKID MOUNTED PUMPING SYSTEM, CONSISTING OF AN ALUMINUM ENCLOSURE, CLOSE COUPLED MOTOR DRIVEN PUMP, SUCTION AND DISCHARGE POINTS OF CONNECTIONS, PRESSURE TRANSDUCER, VARIABLE FREQUENCY DRIVE (VFD), DISCONNECT SWITCH AND ASSOCIATED FITTINGS. ALL **GALE FORCE ECO SERIES** PUMP STATIONS COME IN 208 VOLT, 240 VOLT AND 480 VOLT, (SINGLE & THREE PHASE) POWER.

APPLICATION: **GALE FORCE ECO SERIES** SKID MOUNTED PUMPING SYSTEMS IS TO BE USED ON ANY PROJECT WHERE WATER NEEDS TO BE MOVED. COMMON APPLICATIONS INCLUDE IRRIGATION SYSTEMS, RAIN WATER HARVESTING, AND COMMERCIAL WATER FEATURES/FOUNTAINS. THIS SERIES CAN BE CONFIGURED AS, FLOODED-SUCTION, SUCTION-LIFT, OR BOOSTER PUMPS. ALL **GALE FORCE ECO SERIES** PUMP STATIONS ARE BUILT AND TESTED AT THE FACTORY FOR THE HIGHEST DEGREE OF QUALITY.



TITLE Detail Sheet
DATE 01/01/2019
SCALE 1/2" = 1'-0"
SHEET 1 of 1

REVISIONS	
	X
	X

GALE FORCE ECO SERIES DETAIL SHEET