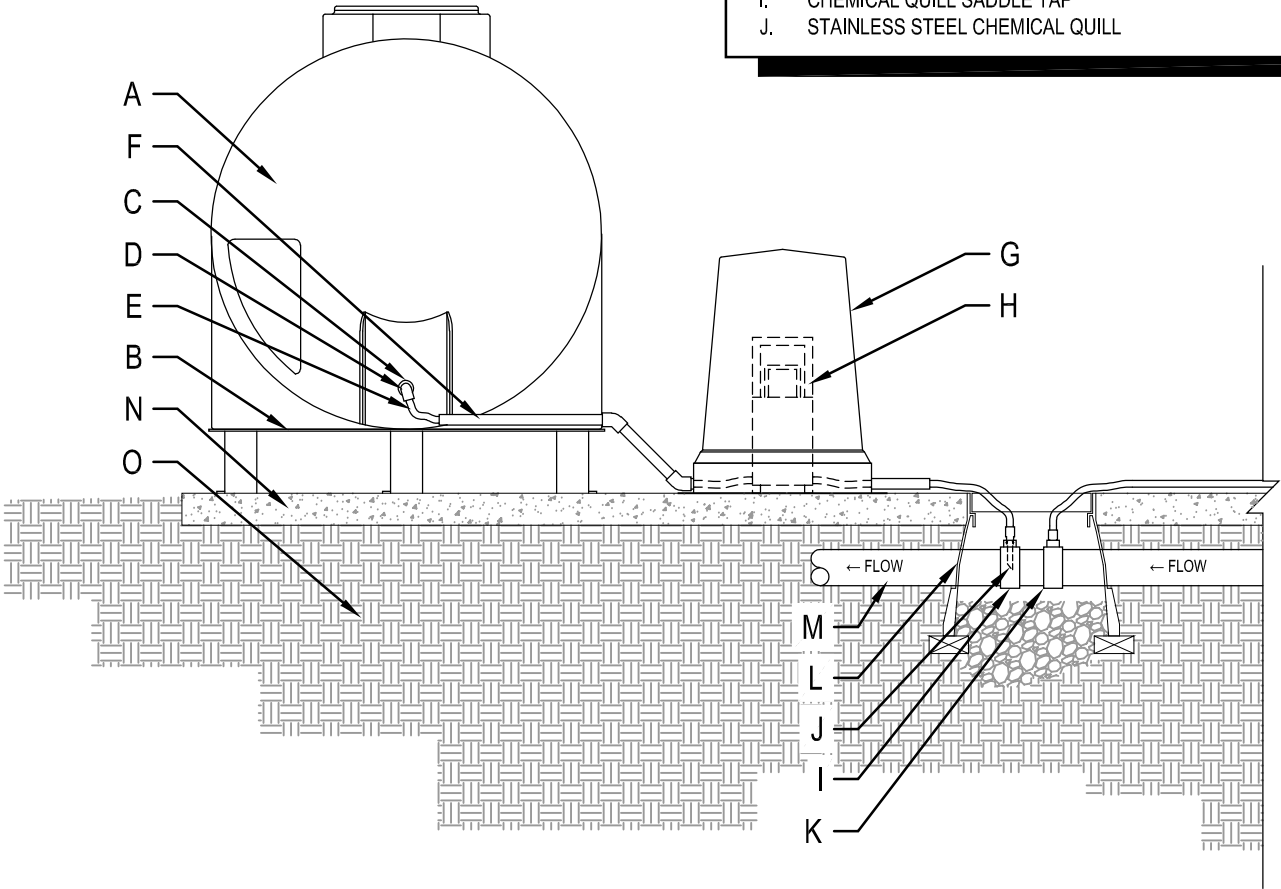


INCON-TROL WATER SYSTEMS: CHEMICAL INJECTION SERIES

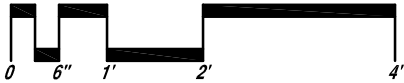
- A. CHEMICAL TANK
- B. PAINTED STEEL TANK STAND
- C. BULKHEAD FITTING
- D. CHEMICAL TUBE TRANSITION FITTING
- E. CHEMICAL RATED TUBING
- F. CONDUIT SLEEVE
- G. FIBERGLASS ENCLOSURE (INSULATED)
- H. CHEMICAL PUMP
- I. CHEMICAL QUILL SADDLE TAP
- J. STAINLESS STEEL CHEMICAL QUILL
- K. FLOW METER (BY OTHERS)
- L. VALVE BOX
- M. DISCHARGE PIPE
- N. CONCRETE PAD
- O. COMPACTED SOIL



www.incontrolwatersystems.com
 (P)214-733-8828 • (F)214-844-9666
 410 Interchange • McKinney, Tx. 75071



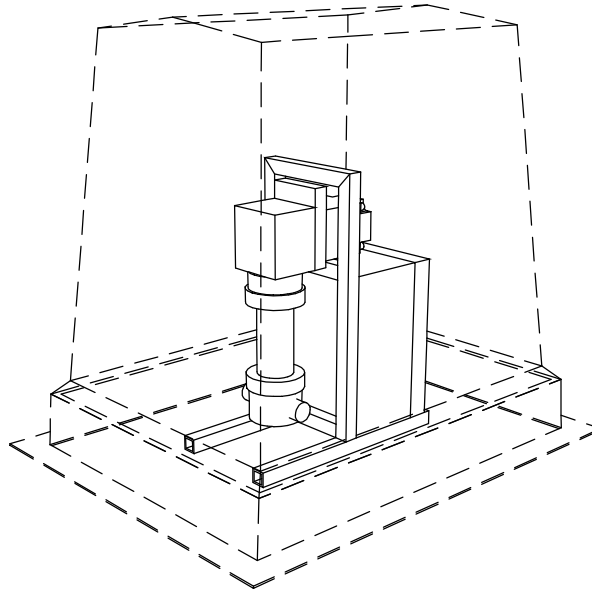
1 INCON-TROL WATER SYSTEMS CHEMICAL INJECTION SERIES
 SCALE: 1/2" = 1'-0" DETAIL



CHEMICAL INJECTION SERIES PUMP CURVE SIMPLEX, DUPLEX-2

PERFORMANCE FEATURES:

- *HIGHLY ACCURATE DOSING CONTROL*
- *NO EXTERNAL MOVING COMPONENTS*
- *316 SS OR KYNAR MATERIAL USED IN ALL AREAS IN CONTACT WITH CHEMICAL*
- *SiA CONNECTOR ALLOWS NO-TOOL REMOVAL OF THE LIQUID END FROM THE DRIVE FOR SERVICING*
- *DUAL SEAL TECHNOLOGY FOR LOW LEAKAGE*
- *CERAMIC PLUNGERS*
 - *EXTREMELY RESISTANT TO DAMAGE*
 - *COMPATIBLE WITH ALL KNOWN LIQUIDS*
 - *ALMOST UNLIMITED LIFE*



ELECTRICAL DATA		
3 PHASE		
340 - 550 VAC	50/60 HERTZ	15A
1 PHASE		
240 / 110 VAC	60 HERTZ	15A
DC		
12 OR 24 VDC	* SUITABLE FOR SOLAR APPLICATIONS	

NOTE:
CHEMICAL PUMP UTILIZES A GRAVITY FED SUCTION APPLICATION. PUMP MUST BE BELOW CHEMICAL TANK ELEVATION.

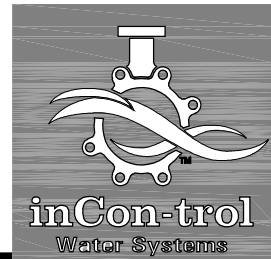
SIMPLEX SERIES	
MIN. FLOW RATE	0 GPH
MAX. FLOW RATE	16.25 GPH
MAX. PRESSURE	150 PSI

DUPLEX-2 SERIES	
MIN. FLOW RATE	0 GPH
MAX. FLOW RATE	32.5 GPH
MAX. PRESSURE	150 PSI

FINAL SERIES TO BE SIZED BY INCON-TROL WATER SYSTEMS. USE GRAPH FOR PRELIMINARY SIZING ONLY.

SPECIFICATION DATA: SKID MOUNTED PUMPING SYSTEM, CONSISTING OF A FIBERGLASS ENCLOSURE, CHEMICAL INJECTION PUMP, SUCTION AND DISCHARGE POINTS OF CONNECTIONS, MICROMETER OR MANUAL STROKE LENGTH ADJUSTMENT DRIVE OPTIONS, PUSH BUTTON OR DIAL CONTROL OPTIONS AND ASSOCIATED FITTINGS. ALL **CHEMICAL INJECTION SERIES** PUMP STATIONS COME IN 208 VOLT, 240 VOLT AND 480 VOLT, (SINGLE & THREE PHASE) POWER.

APPLICATION: **CHEMICAL INJECTION SERIES** SKID MOUNTED TREATMENT SYSTEM IS TO BE USED ON ANY PROJECT WHERE WATER NEEDS TO BE CHEMICALLY TREATED. COMMON APPLICATIONS INCLUDE IRRIGATION SYSTEMS, RAIN WATER HARVESTING, AND COMMERCIAL WATER FEATURES/FOUNTAINS. THIS SERIES CAN BE CONFIGURED AS AN ADDITION TO AN EXISTING APPLICATION OR AS A STAND ALONE UNIT.



REVISIONS
_____ X
_____ X

CHEMICAL INJECTION SERIES DETAIL SHEET

TITLE Detail Sheet
 DATE 01/01/2019
 SCALE 1/2" = 1'-0"
 SHEET 1 of 1