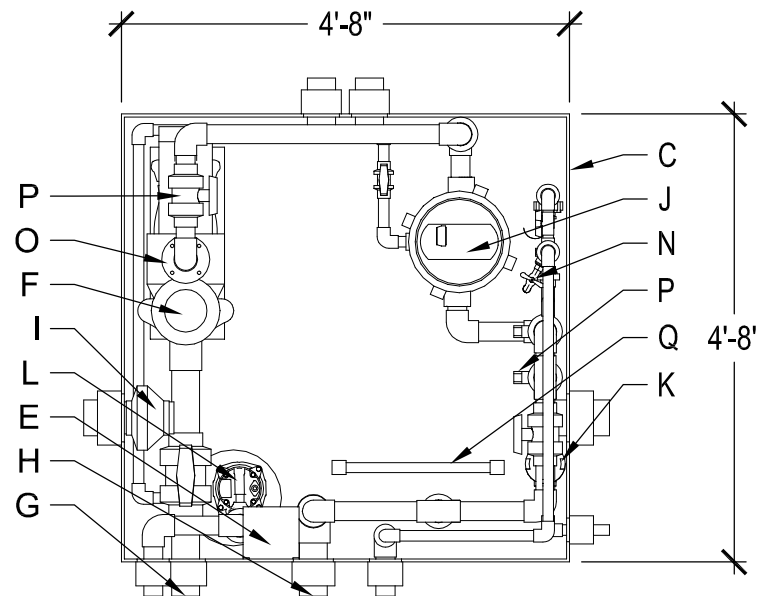
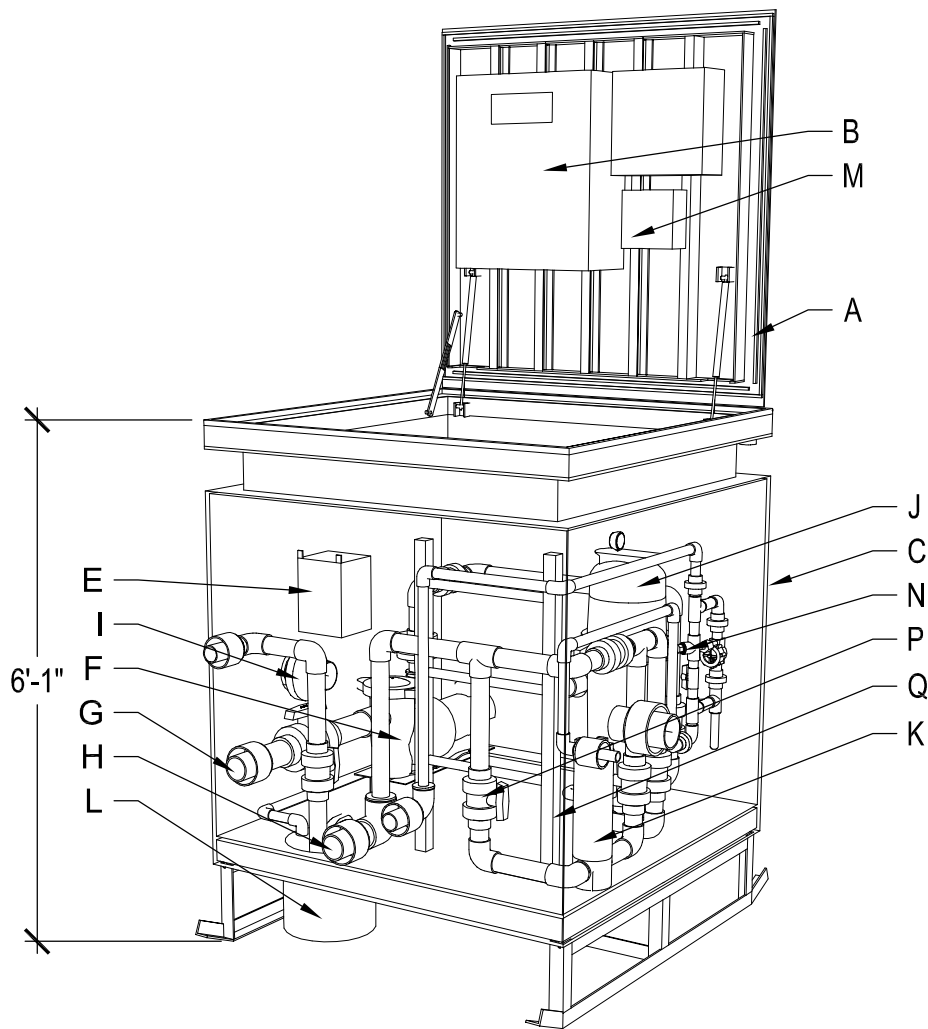


INCON-TROL WATER SYSTEMS: FIBERGLASS VAULT SERIES

- | | |
|---------------------------|-------------------|
| A. ALUMINUM HATCH | L. SUMP PUMP |
| B. CONTROL PANEL | M. ELECTRICAL BOX |
| C. FIBERGLASS ENCLOSUER | N. SPIGOT |
| D. ALUMINUM SKID | O. CHECK VALVE |
| E. ELECTRICAL TRANSFORMER | P. BALL VALVE |
| F. FEATURE PUMP | Q. LADDER |
| G. FEATURE SUCTION | |
| H. FEATURE DISCHARGE | |
| I. FAN | |
| J. CARTRIDGE FILTER | |
| K. CHLORINATOR | |

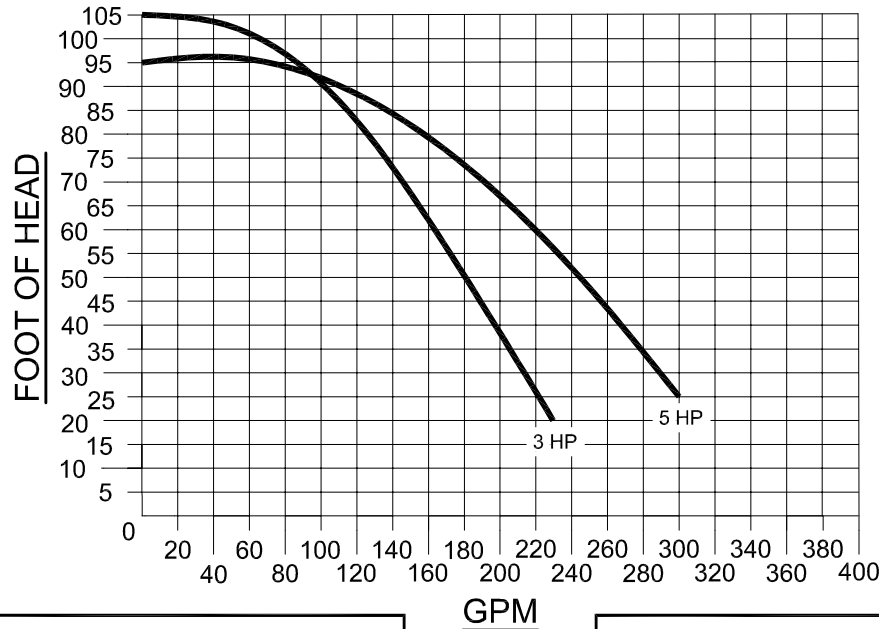


www.incontrolwatersystems.com
 (P)214-733-8828 • (F)214-644-9556
 410 Interchange • McKinney, Tx. 75071



FIBERGLASS VAULT SERIES PUMP CURVES

3 PHASE ELECTRICAL DATA		
HP	VOLTAGE	SERVICE SIZE
3	208	20A
5	208	30A
HP	VOLTAGE	SERVICE SIZE
3	240	20A
5	240	30A
HP	VOLTAGE	SERVICE SIZE
3	480	15A
5	480	15A



1 PHASE ELECTRICAL DATA		
HP	VOLTAGE	SERVICE SIZE
3	208	30A
5	208	50A
HP	VOLTAGE	SERVICE SIZE
3	240	30A
5	240	45A
HP	VOLTAGE	SERVICE SIZE
3	480	15A
5	480	25A

FV SERIES 3HP	
FOOT OF HEAD	GPM
100	60
63	160
25	220

FV SERIES 5HP	
FOOT OF HEAD	GPM
97	40
74	180
43	260

FINAL HORSEPOWER TO BE SIZED BY INCON-TROL WATER SYSTEMS. USE GRAPH FOR PRELIMINARY SIZING ONLY.

SPECIFICATION DATA: SKID MOUNTED PUMPING SYSTEM, CONSISTING OF A FIBERGLASS ENCLOSURE, CLOSE COUPLED MOTOR DRIVEN PUMP, SUCTION AND DISCHARGE POINTS OF CONNECTIONS, PRESSURE TRANSDUCER, VARIABLE FREQUENCY DRIVE (VFD), DISCONNECT SWITCH AND ASSOCIATED FITTINGS. ALL **FIBERGLASS VAULT SERIES** PUMP STATIONS COME IN 208 VOLT, 240 VOLT AND 480 VOLT, (SINGLE & THREE PHASE) POWER.

APPLICATION: **FIBERGLASS VAULT SERIES** PUMPING SYSTEM IS TO BE USED ON ANY PROJECT WHERE TREATED WATER NEEDS TO BE MOVED. COMMON APPLICATIONS ARE SMALL COMMERCIAL WATER FEATURES/FOUNTAINS THAT NEED THE EQUIPMENT HIDDEN. THIS SERIES UTILIZES A FLOODED-SUCTION APPLICATION. ALL **FIBERGLASS VAULT SERIES** PUMP STATIONS ARE BUILT AND TESTED AT THE FACTORY FOR THE HIGHEST DEGREE OF QUALITY.



REVISIONS
X
X

FIBERGLASS VAULT SERIES DETAIL SHEET

TITLE Detail Sheet
 DATE 01/01/2019
 SCALE 1/2" = 1'-0"
 SHEET 1 of 1